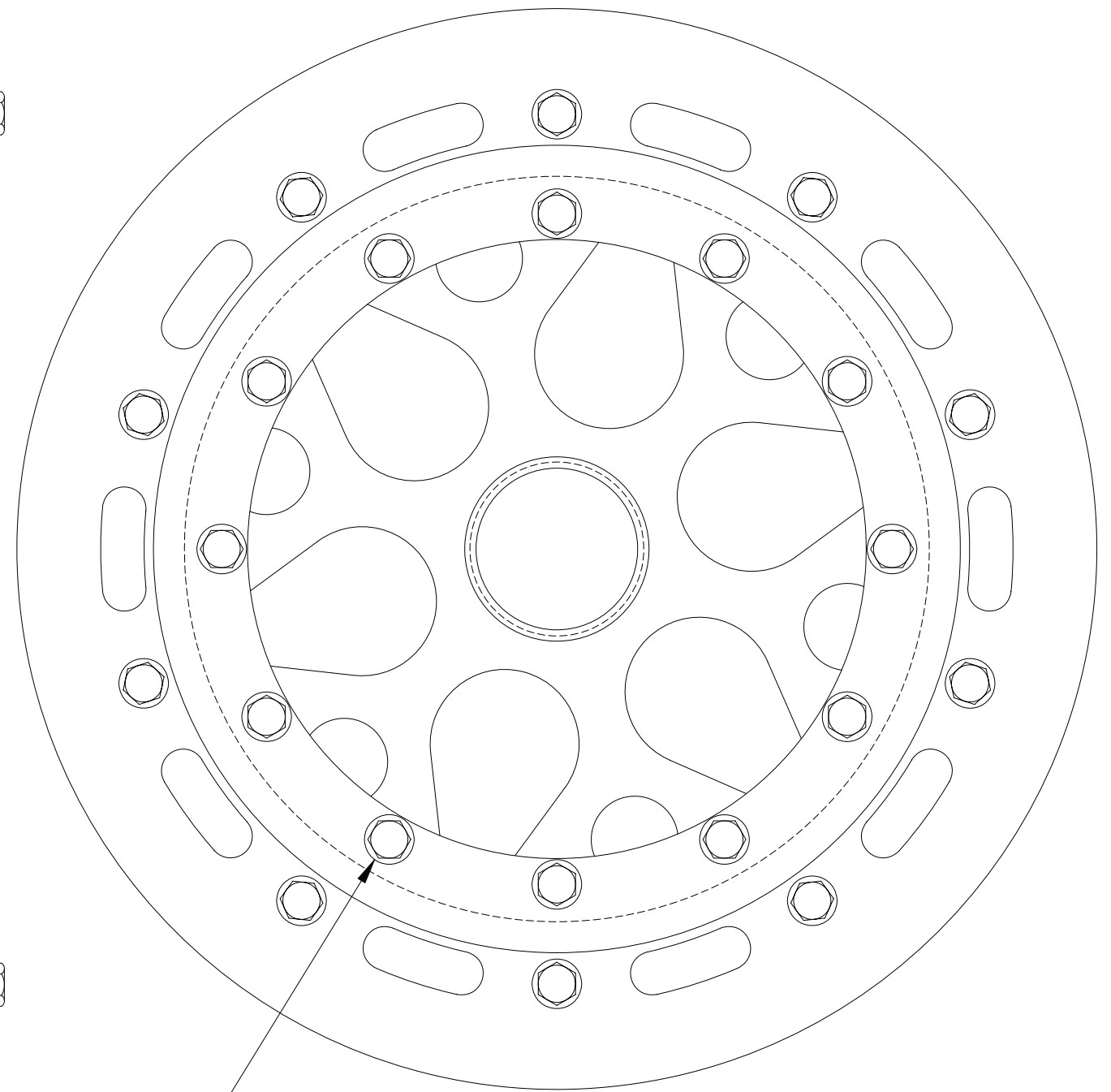
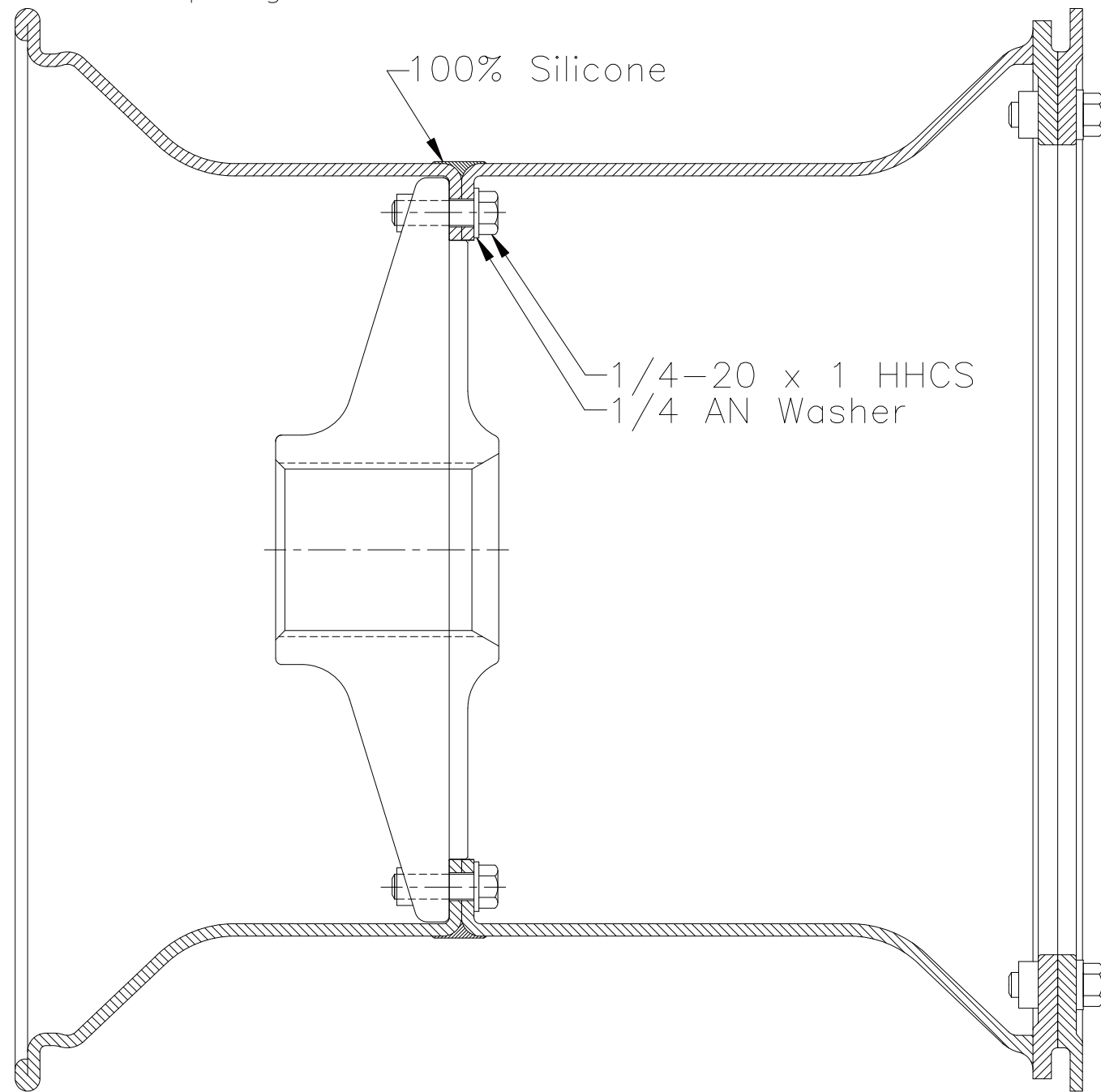


Hyper 2" Rear Wheel Bolt Diagram

Copyright - Hyper Racing, Inc. - 2002

Use 100% silicone to seal the two halves together. Apply a bead around the entire seam then use a piece of cardboard as a squeegee to smooth it out.



Note:

If the outside half did not come with a hole for the valve stem, drill a 7/16" hole through the horizontal part of the outside half

1/4-20 x 1 HHCS
1/4 AN Washer
12 Places