

HYPHER

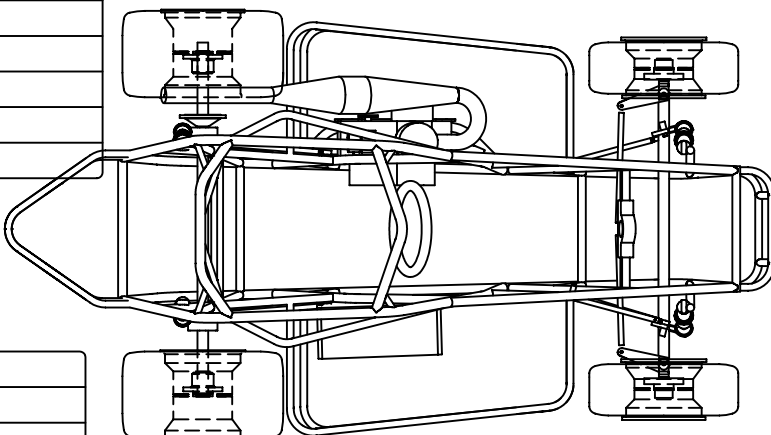
TRACK:
DATE:

SPRING RATE:
BLOCK HGT:
CAR HGT:
WEIGHT:
SHOCK:
OFFSET:
PRESSURE:

SPRING RATE:
BLOCK HGT:
CAR HGT:
WEIGHT:
SHOCK:
OFFSET:
PRESSURE:

SWAY BAR HGT:

SWAY BAR HGT:



SPRING RATE:
BLOCK HGT:
CAR HGT:
WEIGHT:
SHOCK:
OFFSET:
PRESSURE:

SPRING RATE:
BLOCK HGT:
CAR HGT:
WEIGHT:
SHOCK:
OFFSET:
PRESSURE:
KING PIN ∠:
TOE:

ENGINE:
CARBURETION:
GEARING:
PIPE:
HEAD:

NOTES

HEAT:	START:	FINISH:	NO. OF CARS:	LAPS:	TRACK COND:
-------	--------	---------	--------------	-------	-------------

SET UP ENTERING THE HEAT RACE-

TIRES	RR	LR	RF	LF
COMPOUND-				
PRESSURE-				
DIAMETER-				

NOTES:
ENG. TEMP:
GEARING:
CARB:
PIPE:
AIR DENSITY:
LAP TIMES: 1-
2- 3-

CONSI:	START:	FINISH:	NO. OF CARS:	LAPS:	TRACK COND:
--------	--------	---------	--------------	-------	-------------

SET UP ENTERING THE CONSI-

TIRES	RR	LR	RF	LF
COMPOUND-				
PRESSURE-				
DIAMETER-				

NOTES:
ENG. TEMP:
GEARING:
CARB:
PIPE:
AIR DENSITY:
LAP TIMES: 1-
2- 3-

FEATURE:	START:	FINISH:	NO. OF CARS:	LAPS:	TRACK COND:
----------	--------	---------	--------------	-------	-------------

SET UP ENTERING THE FEATURE-

TIRES	RR	LR	RF	LF
COMPOUND-				
PRESSURE-				
DIAMETER-				

NOTES:
ENG. TEMP:
GEARING:
CARB:
PIPE:
AIR DENSITY:
LAP TIMES: 1-
2- 3-