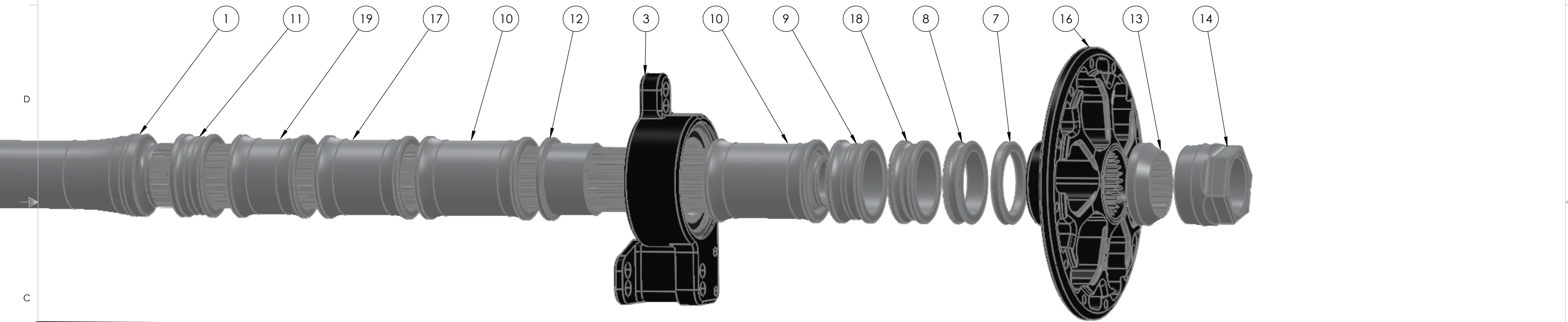


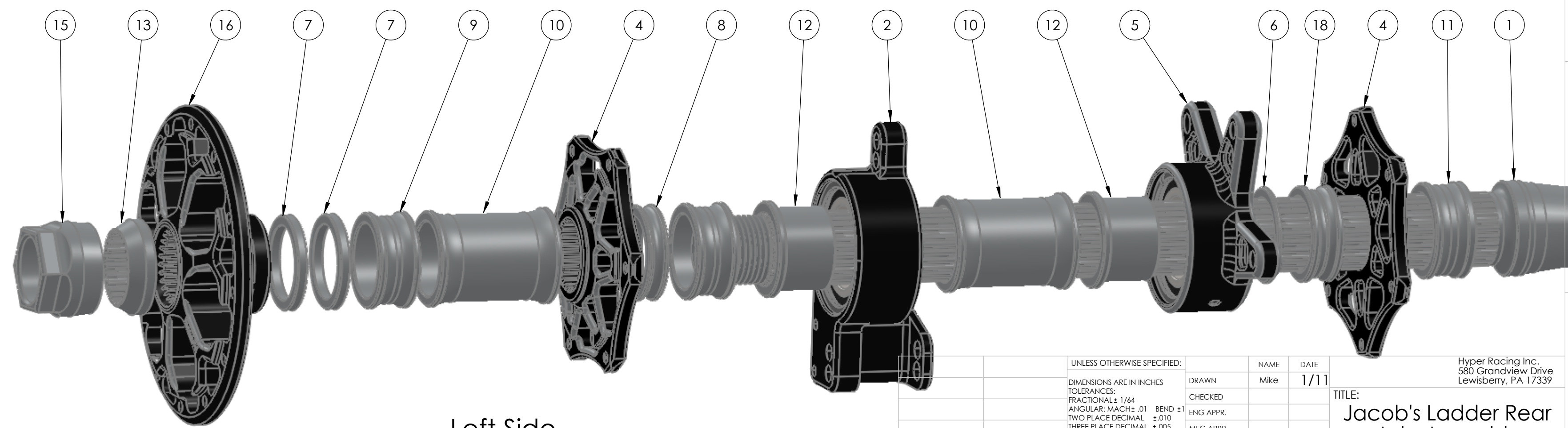
1-3/4" Jacob's Ladder Rear Axle Assembly

ITEM NO.	PART NUMBER	DESCRIPTION	QTY.
1	05-1015	1-3/4" x 53" Universal Axle	1
2	05-210	Bearing Carrier TLJ (left Side/Jacob's Ladder)	1
3	05-200	Bearing Carrier TRJ (for Jacob's Ladder Right Side)	1
4	05-102	Splined Sprocket Carrier/6 Bolt Brake Rotor	2
5	05-1062	1-3/4" Axle Brake Floater Double Wide	1
6	055-0125	1/8" Axle Spacer, Flat	1
7	055-0250	1/4" Axle Spacer, Flat	3
8	055-0500	1/2" Axle Spacer, Flat	2
9	055-1000	1" long Axle Spacer	3
10	055-3000	3" long Axle Spacer	4
11	055-1001	Radiused Shoulder Axle Spacer, 1.00"	2
12	05-131	Splined Reducer for Double Bearing	3
13	05-155	Splined 5/8" x 30 Degree Tapered End Spacer	2
14	05-134	Axle Nut, Left Hand Thread 1.9"	1
15	05-132	Axle Nut, Right Hand Thread 1.9"	1
16	25-528	HBS 1-3/4" Rear Wheel Center	2
17	055-2500	2-1/2" long Axle Spacer	1
18	055-0750	3/4" long Axle Spacer	2
19	055-2000	2" long Axle Spacer	1

Right Side



Left Side



PROPRIETARY AND CONFIDENTIAL
 THE INFORMATION CONTAINED IN THIS DRAWING IS THE SOLE PROPERTY OF Hyper Racing Inc. ANY REPRODUCTION IN PART OR AS A WHOLE WITHOUT THE WRITTEN PERMISSION OF Hyper Racing, Inc. IS PROHIBITED.

UNLESS OTHERWISE SPECIFIED:		DRAWN	NAME	DATE	Hyper Racing Inc. 580 Grandview Drive Lewisberry, PA 17339
DIMENSIONS ARE IN INCHES		CHECKED	Mike	1/11	
TOLERANCES:		ENG APPR.			
FRACTIONAL: ± 1/64		MFG APPR.			
ANGULAR: MACH ± .01 BEND ± 1		Q.A.			
TWO PLACE DECIMAL ± .010		COMMENTS:			
THREE PLACE DECIMAL ± .005					
INTERPRET GEOMETRIC TOLERANCING PER:					
MATERIAL:					
FINISH:					
NEXT ASSY	USED ON				
APPLICATION	DO NOT SCALE DRAWING				

TITLE:
Jacob's Ladder Rear Axle Assembly

SIZE DWG. NO. REV
C 05-000 Jacobs Ladder

SCALE: 1:2 WEIGHT: SHEET 1 OF 1